



**FINISHER**  
**BF 300 C, S 340-2 E**

**PERFORMANCE DATA**

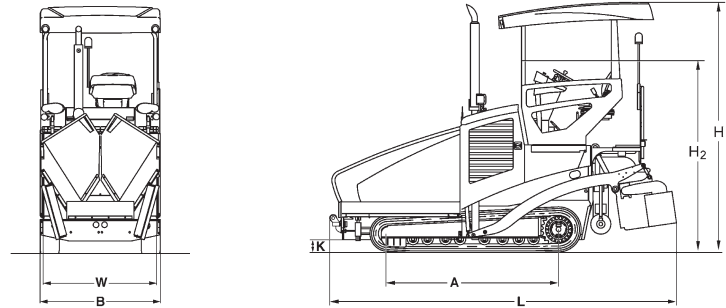


# Technical Data

## Shipping dimensions in m<sup>3</sup>

BF 300 C, S 340-2 E

22,394



## Standard equipment

- ECOMODE
- Lateral seat and platform adjustment, Side View System (pat.)
- GRP-roof, hydr. tiltable, 4-fold roof lighting
- L.C.S. Screed relief system
- Individually controlled hopper wings
- Reversible and individually controlled scraper belts
- Reversible and individually controlled augers
- Continuous tamper and vibration adjustment
- Fully automatic screed heating
- Cast heating elements
- BOMAG central electrics, service and fault code display
- Hydraulic pre-tensioning of crawler tracks with overload protection
- Remote control of material flow sensors from the lateral screed control panels
- Mechanical crown adjustment
- Electro-mechanical sensors for scraper belts
- Ultrasound sensors for augers
- Central lubrication for screed and auger

## Optional equipment

- Screed with tamper and vibration
- Screed with vibration only
- Screed extension 30 cm (3.4 m to 4.0 m)
- Cleaning kit
- Hydraulic auger lift
- Ultrasound sensors for scraper belts
- Hydraulic crown adjustment
- Optional generator 230 V, 50 Hz, frequency stabilized
- Optional paint finish
- Ultrasound or electro-mechanical levelling systems
- Cross-slope levelling system
- Electric side plate heating for screed S340E
- Automatic central lubrication system for screed and auger

## Dimensions in mm

### BF 300 C

A	B	H	H <sub>2</sub>	K	L	W
2200	1740	3350	2600	170	4950	1700

## Technical Data

### Weights

Operating weight CECE ..... kg 8500

### Dimensions

Transport length ..... mm 4950  
 Transport width ..... mm 1740  
 Transport height ..... mm 2600

### Travel characteristics

Travel speed (1) ..... km/h 0-4,9  
 Working speed (1) ..... m/min 0-26

### Drive

Engine manufacturer ..... Kubota  
 Type ..... V3307 T  
 Exhaust classification ..... 3 a  
 Cooling ..... Water  
 Number of cylinders ..... 4  
 Rated power ISO 3046 ..... kW 55,4  
 Speed ..... min-1 2200

### Crawler assembly

Crawler track .....  
 -Axle base ..... mm 2200  
 -Width ..... mm 260

### Hopper

Capacity ..... m<sup>3</sup> 4,8  
 Width (wings open) ..... mm 3075  
 Width (wings closed) ..... mm 1740  
 Length ..... mm 1660  
 Filling height (middle) ..... mm 540

### Scraper belt / auger

Number ..... 2  
 Width ..... mm 220  
 Speed ..... m/min 30  
 Individual control ..... Standard  
 Reversing operation ..... Standard

### Conveyor auger

->Number ..... 2  
 ->Auger diameter ..... mm 280  
 ->Rotary speed ..... 1/min 100  
 ->Reversing operation ..... Standard

### Screed

Screed type ..... S 340-E  
 Basic width retracted ..... mm 1700  
 Basic width extended ..... mm 3400  
 Max. working width ..... mm 5000  
 min. width with reduction skids ..... mm 750  
 Mat thickness ..... mm 250  
 Smoothing plate depth ..... mm 330  
 Smoothing plate thickness ..... mm 12  
 Heating ..... Electric  
 Crown ..... % -3 ... +4,5  
 Tamper frequency ..... Hz 0-30  
 Vibration frequency ..... Hz 20-50  
 Basic weight ..... kg 1500  
 Max. weight ..... kg 1720

### Filling capacities

Fuel ..... l 100  
 Hydraulic oil ..... l 80

### Operating/control elements

Number of driver's seats ..... 1  
 SideView ..... Standard  
 LCS System ..... Standard

Technical modifications reserved. Machines may be shown with options.

**BOMAG**  
 Hellerwald  
 D-56154 Boppard  
 Postfach 5162  
 D-56149 Boppard  
 Tel. (0)6742 - 1000  
 Fax (0)6742 - 3090

